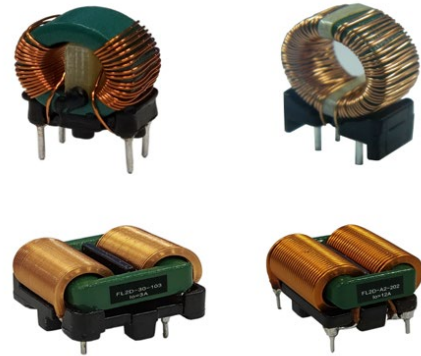


Features

- Good temperature characteristic
- Compact size
- Effective anti-interference
- High reliability
- Meets UL508 isolation requirements



Ideal Power's 36FL2D-xx-xxx Common Mode EMC Filter Series are certified to RoHS & Standards and comply with Efficiency Regulations. These are primarily used in ITE, Audio & Video Industries and customised solutions are available upon request.

Models

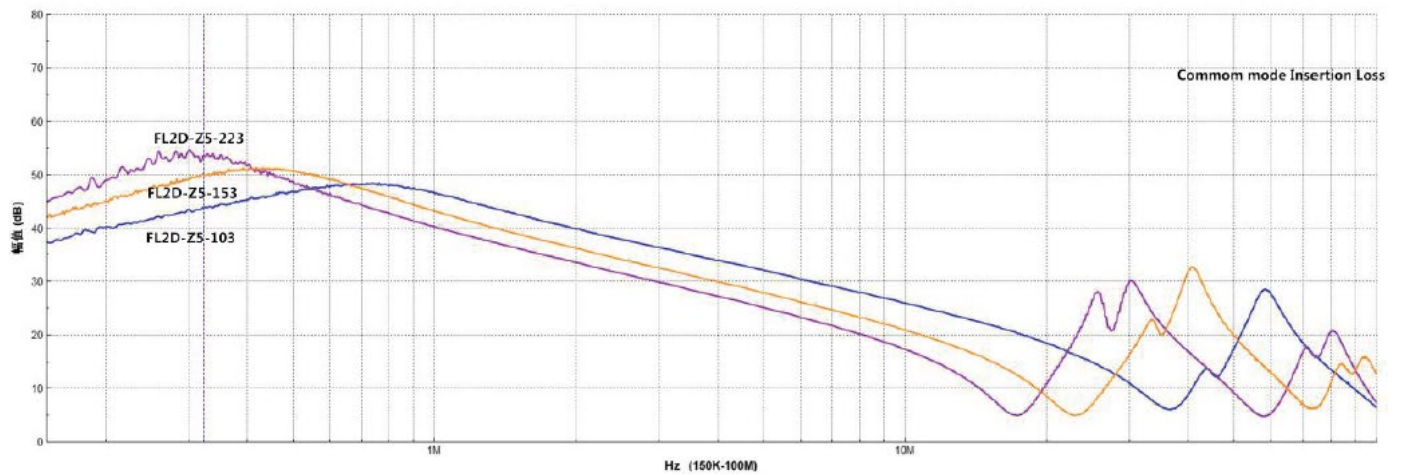
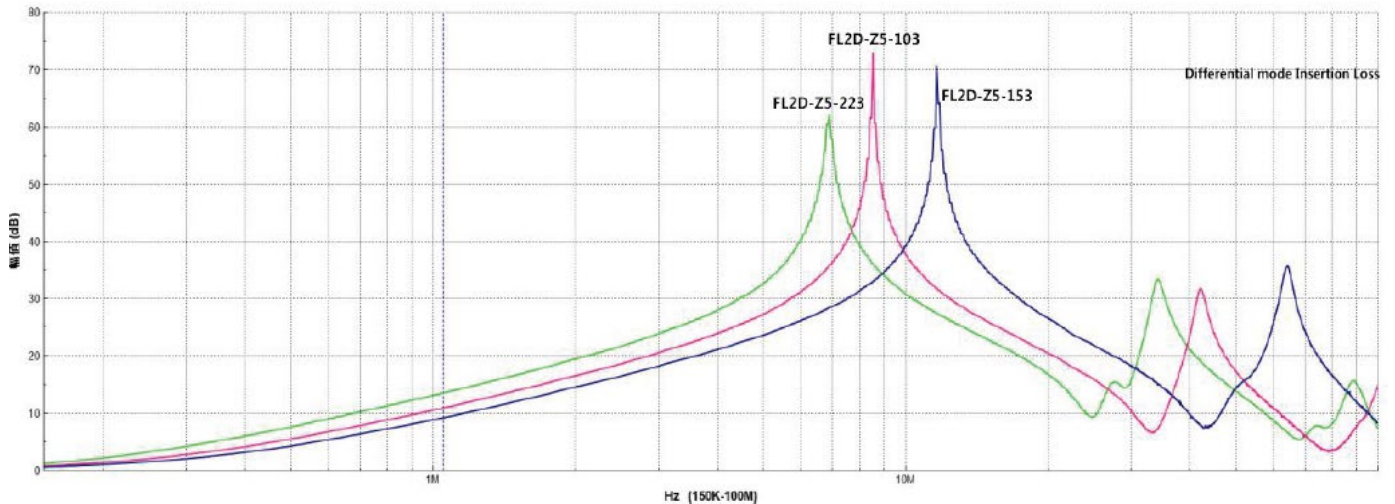
Model	Inductance (μH)(typ)	Current (A)(max)	DCR (mΩ) (typ)	Weight (g) (typ)	Size (L*W*H)
36FL2D-Z5-103	10000*2	0.5	500*2	4.5	17*9.6*18 See Figure 1
36FL2D-Z5-153	15000*2	0.5	600*2	4.5	17*9.6*18 See Figure 1
36FL2D-Z5-223	22000*2	0.5	650*2	4.5	17*9.6*18 See Figure 1
36FL2D-10-102	1000*2	1.0	70*2	4.5	17*9.6*18 See Figure 1
36FL2D-10-222	2200*2	1.0	90*2	4.5	17*9.6*18 See Figure 1
36FL2D-10-332	3300*2	1.0	100*2	4.5	17*9.6*18 See Figure 1
36FL2D-10-472	4700*2	1.0	140*2	4.5	17*9.6*18 See Figure 1
36FL2D-10-682	6800*2	1.0	160*2	6.5	19*11*23.5 See Figure 2
36FL2D-10-822	8200*2	1.0	180*2	6.5	19*11*23.5 See Figure 2
36FL2D-10-203	20000*2	1.0	240*2	5.6	18*10*17.5 See Figure 8
36FL2D-30-351	350*2	3.0	30*2	3.9	17*9.6*18 See Figure 1
36FL2D-30-102	1000*2	3.0	40*2	4.5	17*9.6*18 See Figure 1
36FL2D-30-222	2200*2	3.0	50*2	4.5	17*9.6*18 See Figure 1
36FL2D-30-472	4700*2	3.0	70*2	4.5	17*9.6*18 See Figure 1
36FL2D-30-103	10000*2	3.0	50*2	13.8	24.5*22.5*15.5 See Figure 3
36FL2D-60-402	4000*2	6	35*2	20	24*23.5*19 See Figure 5
36FL2D-60-451	450*2	6	9*2	6.4	18*15*17 See Figure 6
36FL2D-A2-202	2000*2	12.0	145*2	25.2	25.5*23.8*15.5 See Figure 4
36FL2D-D0-040	4*2	40	2*2	30.9	36*28*20 See Figure 7

Note: The Inductance of 36FL2D-30-103, 36FL2D-A2-202 are minimum value, others are typical value.

General Specifications

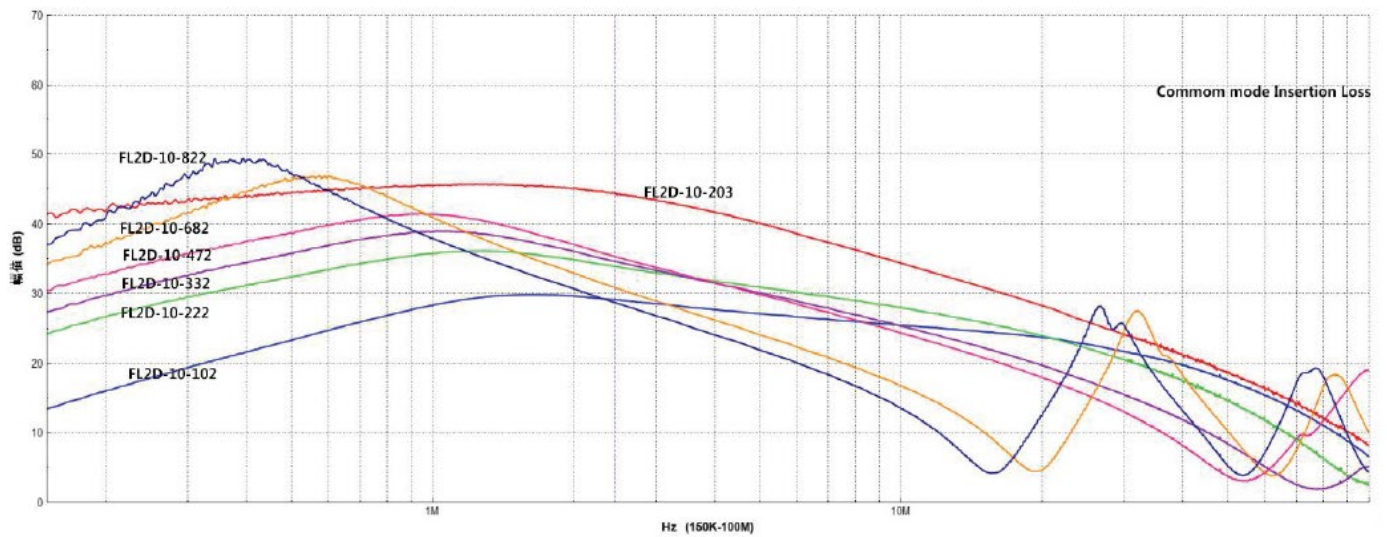
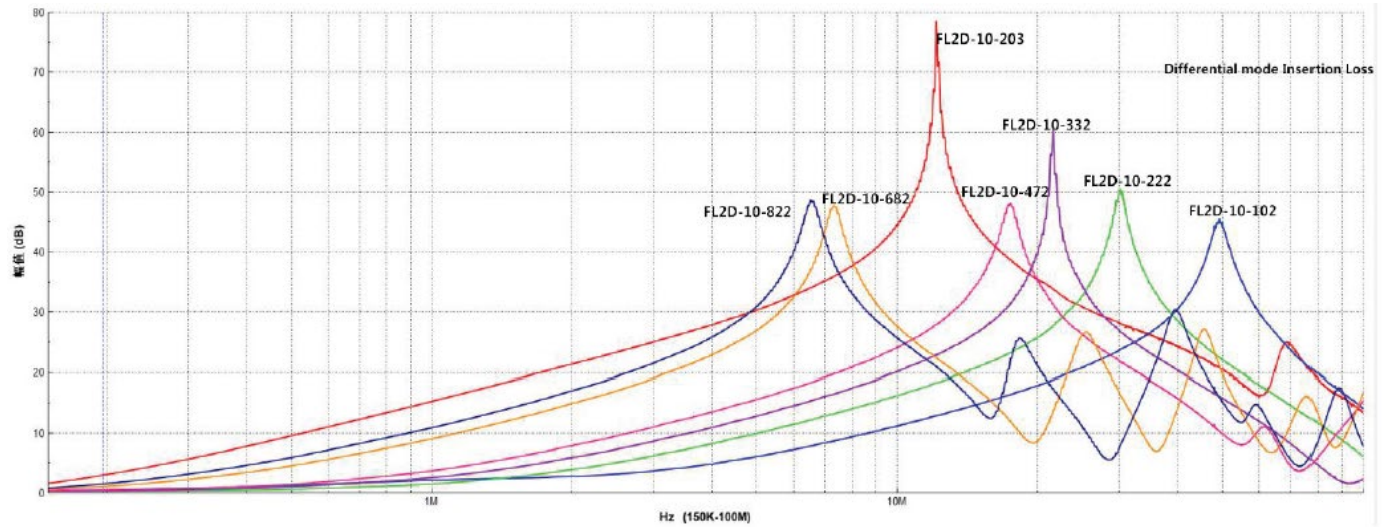
Item	Test Conditions	Min.	Typ.	Max.	Unit	
Operating Temperature*		-40	--	105	°C	
Storage Temperature		-40	--	105		
Storage Humidity		--	--	95	%RH	
Inductance	fo=1kHz, Uo=0.3V	FL2D-30-051	--	--	%	
		Others	-50	--		
Isolation	Leakage current Io=1mA	2000	--	--	VDC	
	Leakage current Io=5mA, testing time 3s, only for FL2D-30-103, FL2D-A2-202	Coil-coil	1500	--	--	VAC
		Coil-core	1000	--	--	
Vibration	FL2D-30-103, FL2D-A2-202, FL2D-60-103, FL2D-60-151, FL2D-60-202	IEC60077, IEC 61373 - Category 1, Grade B				

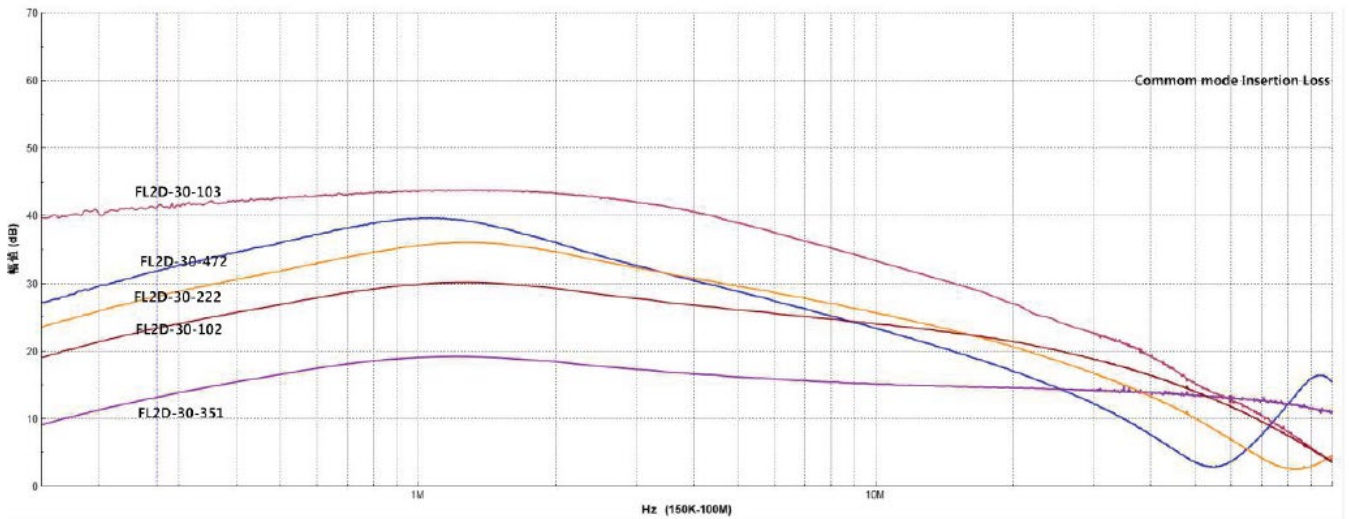
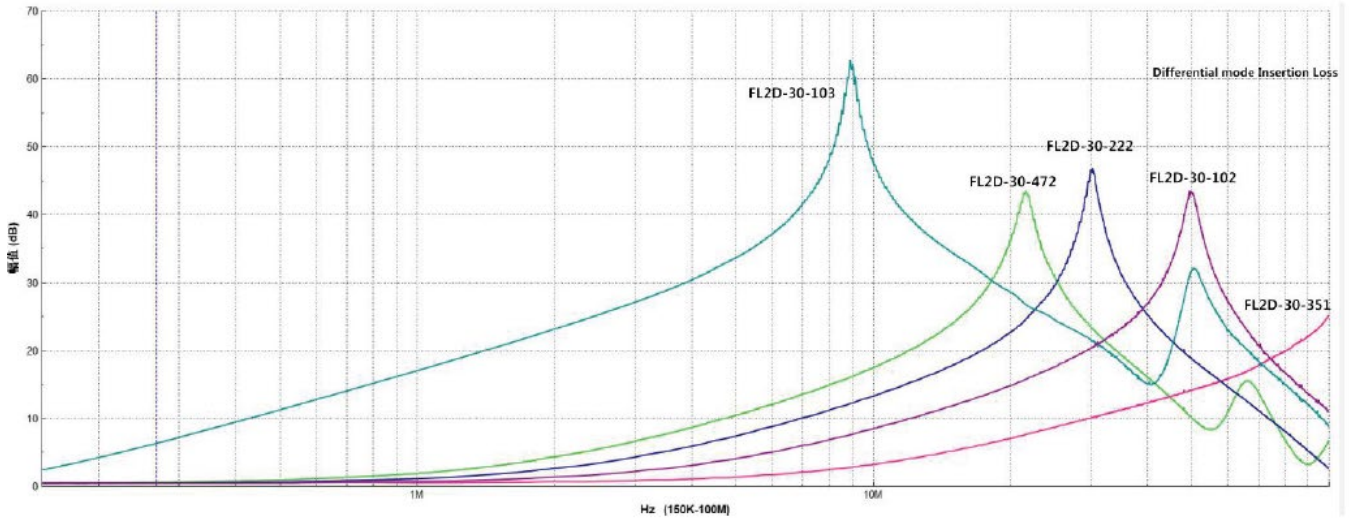
Note: *Operating Temperature range includes inductor self-heating.

Insertion Loss Specifications (reference value)
36FL2D-Z5-xxx


Insertion Loss Specifications (reference value)

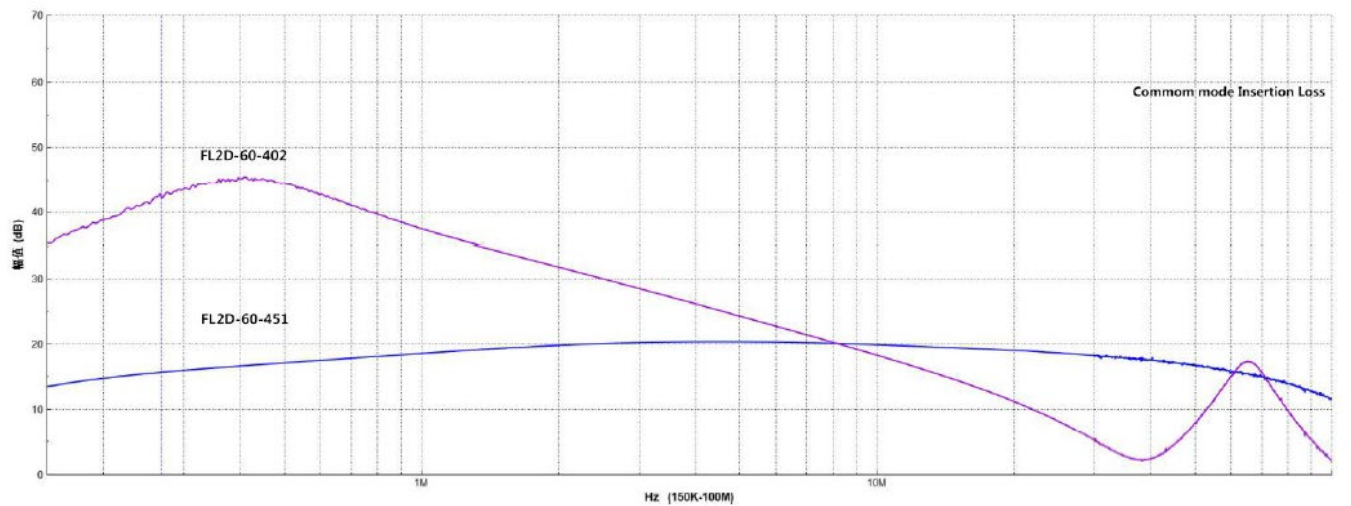
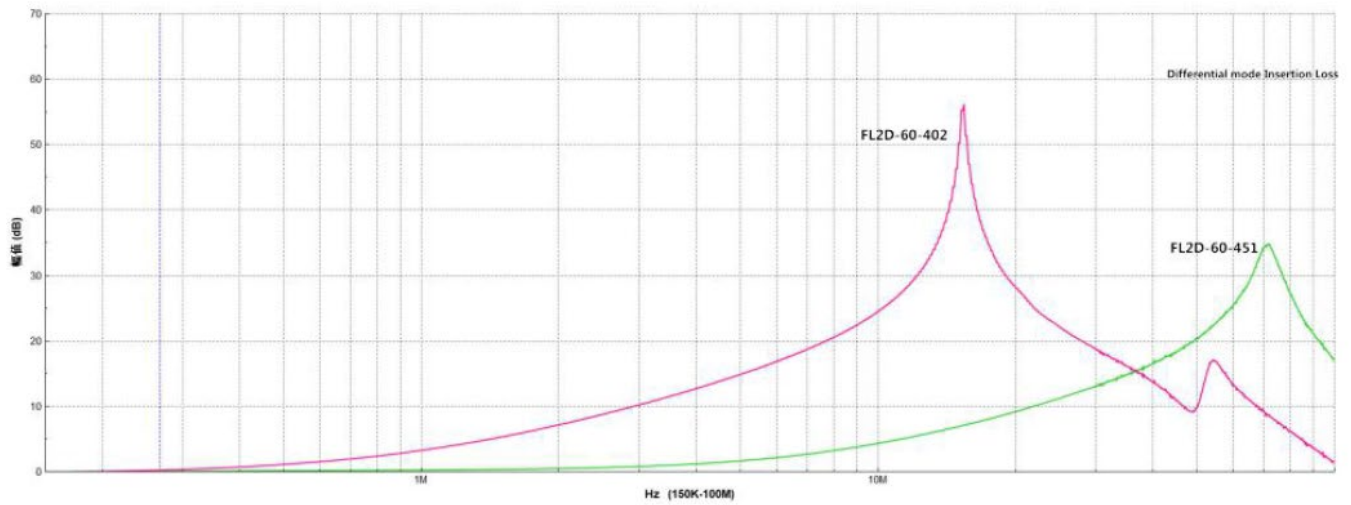
36FL2D-10-xxx



Insertion Loss Specifications (reference value)
36FL2D-30-xxx


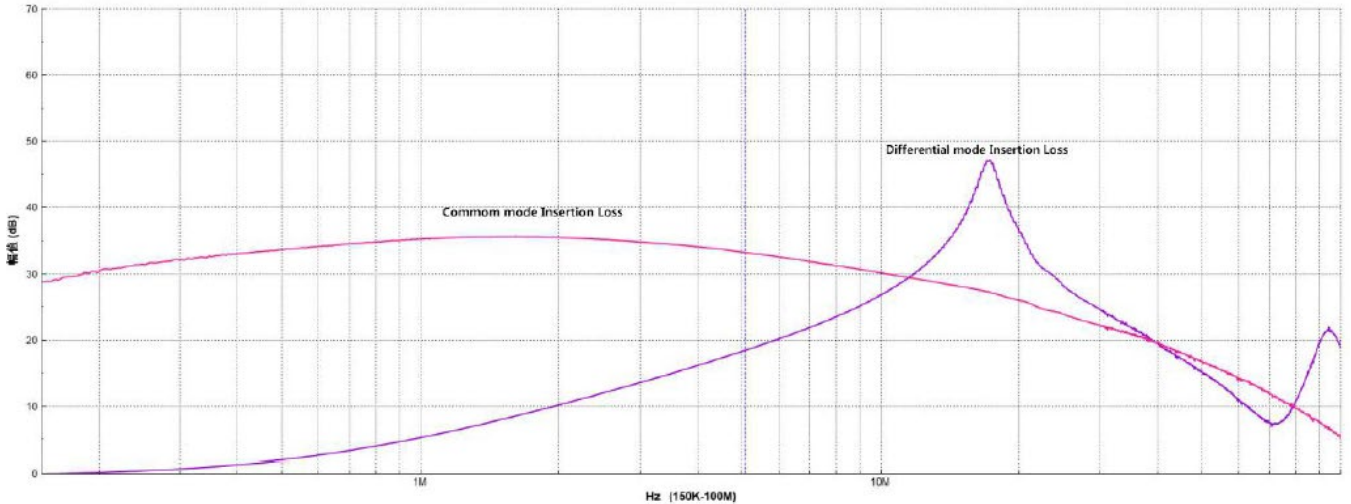
Insertion Loss Specifications (reference value)

36FL2D-60-xxx



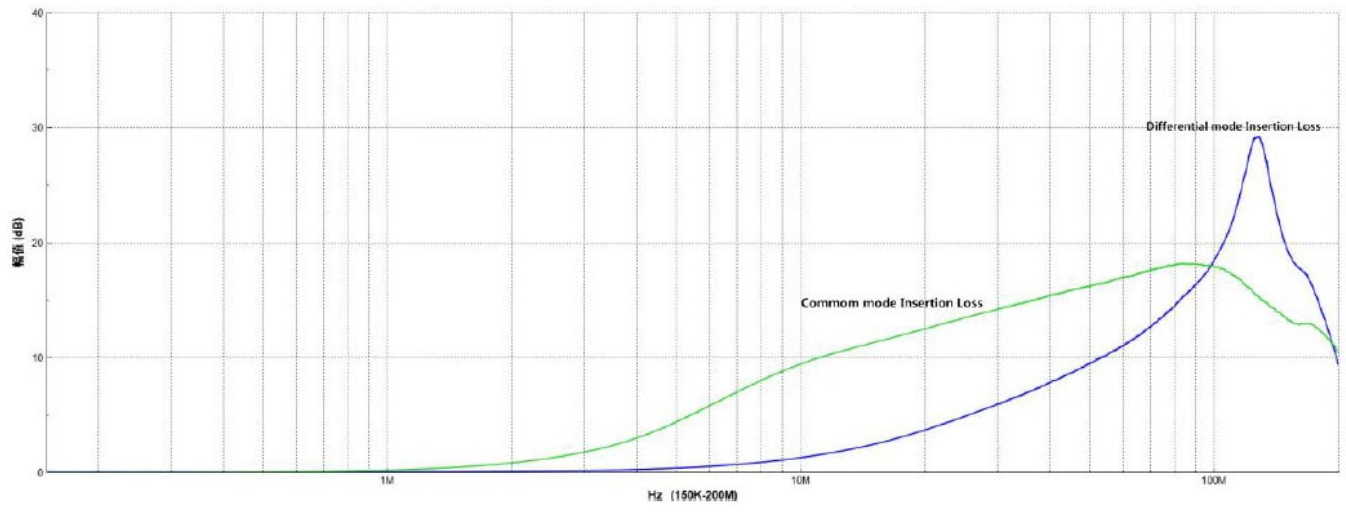
Insertion Loss Specifications (reference value)

36FL2D-A2-xxx

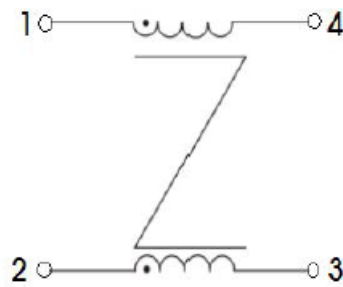


Insertion Loss Specifications (reference value)

36FL2D-D0-xxx



Pin Function



Dimensions and Recommended Layout

Fig 1

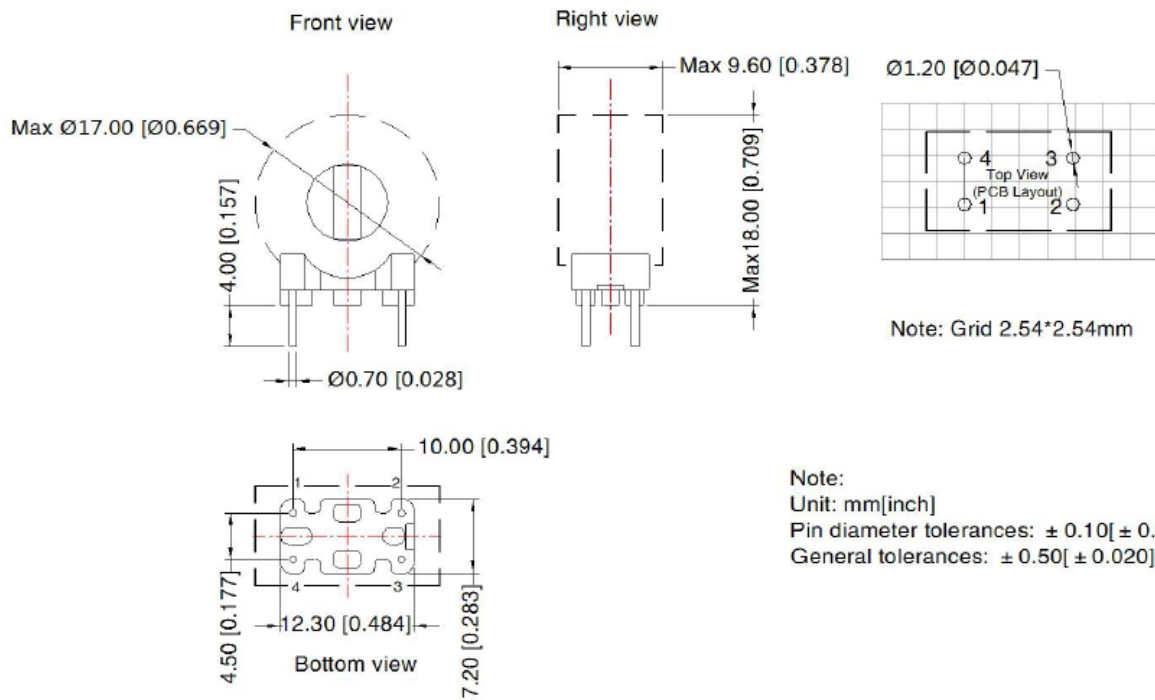
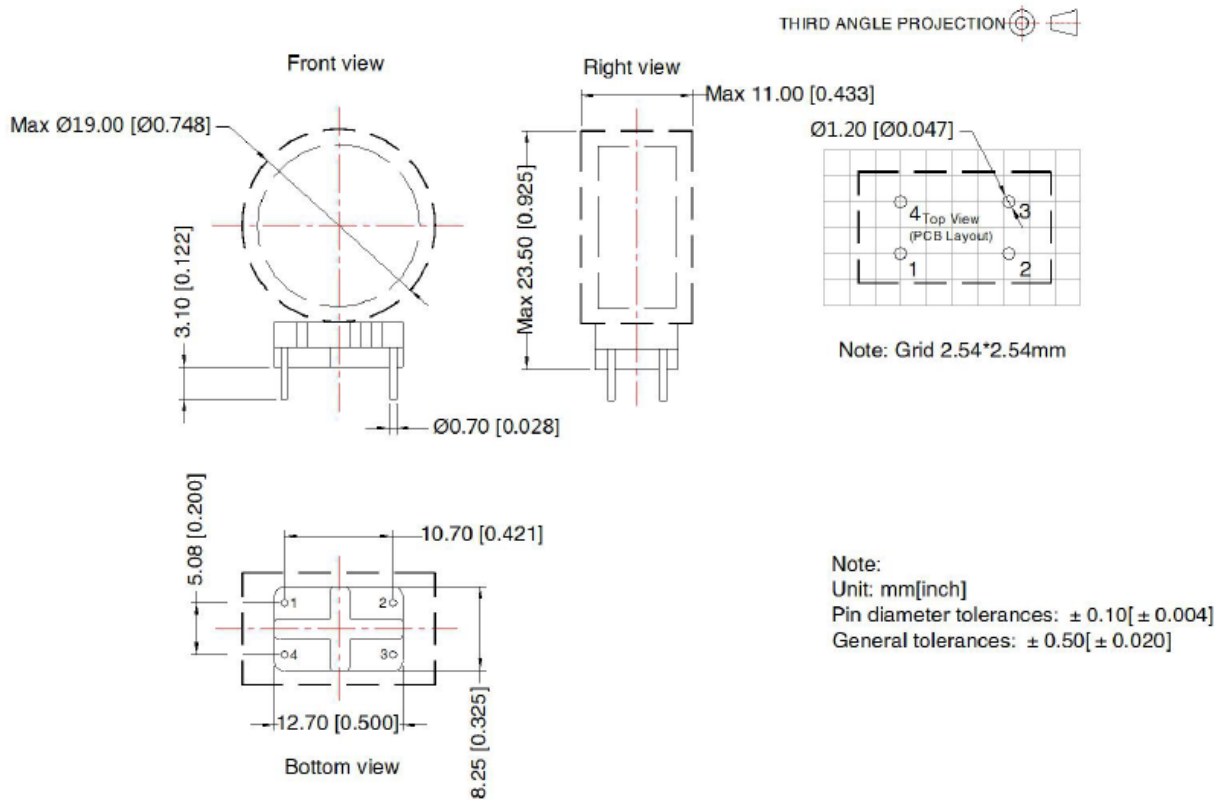


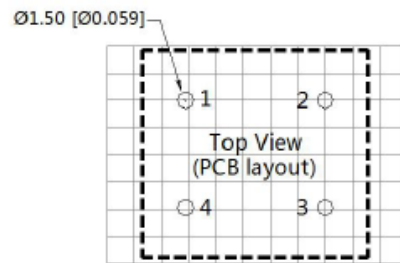
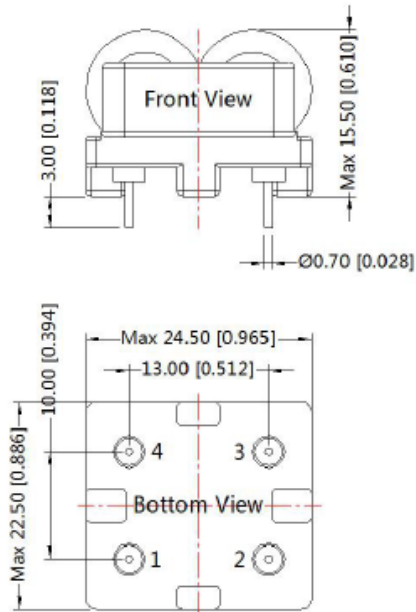
Fig 2



Dimensions and Recommended Layout (continued)

Fig 3

THIRD ANGLE PROJECTION 

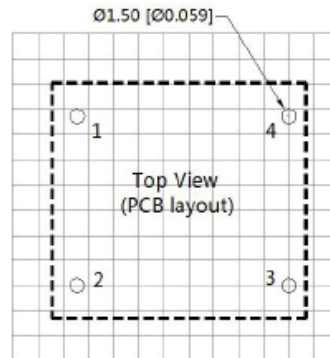
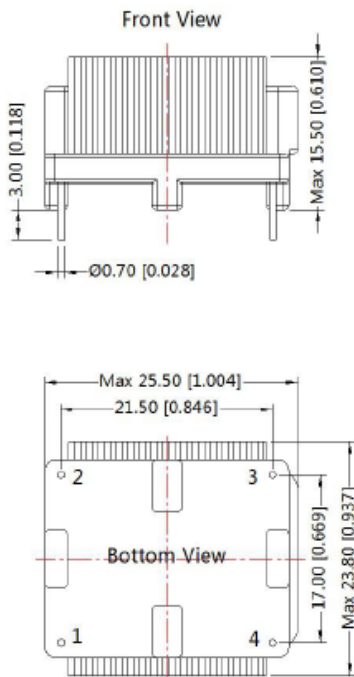


Note: Grid 2.54*2.54mm

Note:
Unit: mm[inch]
Pin diameter tolerances: ± 0.10 [± 0.004]
General tolerances: ± 0.50 [± 0.020]

Fig 4

THIRD ANGLE PROJECTION 




Note: Grid 2.54*2.54mm

Note:
Unit: mm[inch]
Pin diameter tolerances: ± 0.10 [± 0.004]
General tolerances: ± 0.50 [± 0.020]

Dimensions and Recommended Layout (continued)

Fig 5

THIRD ANGLE PROJECTION 

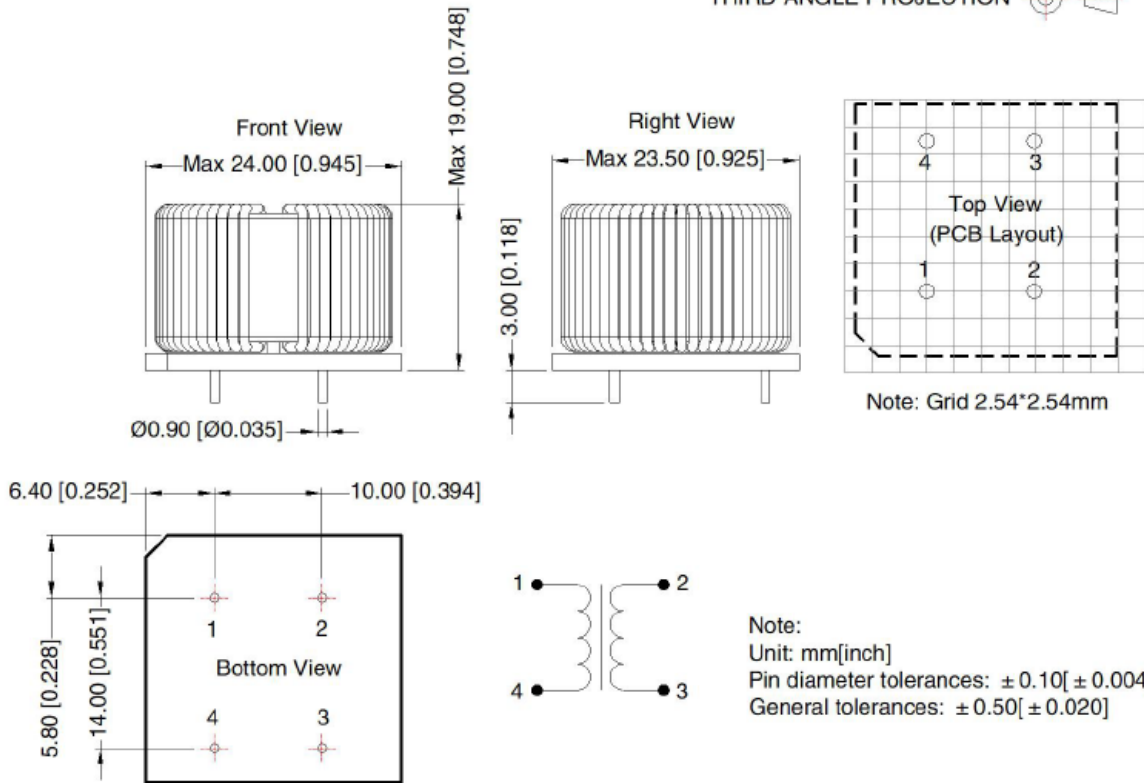

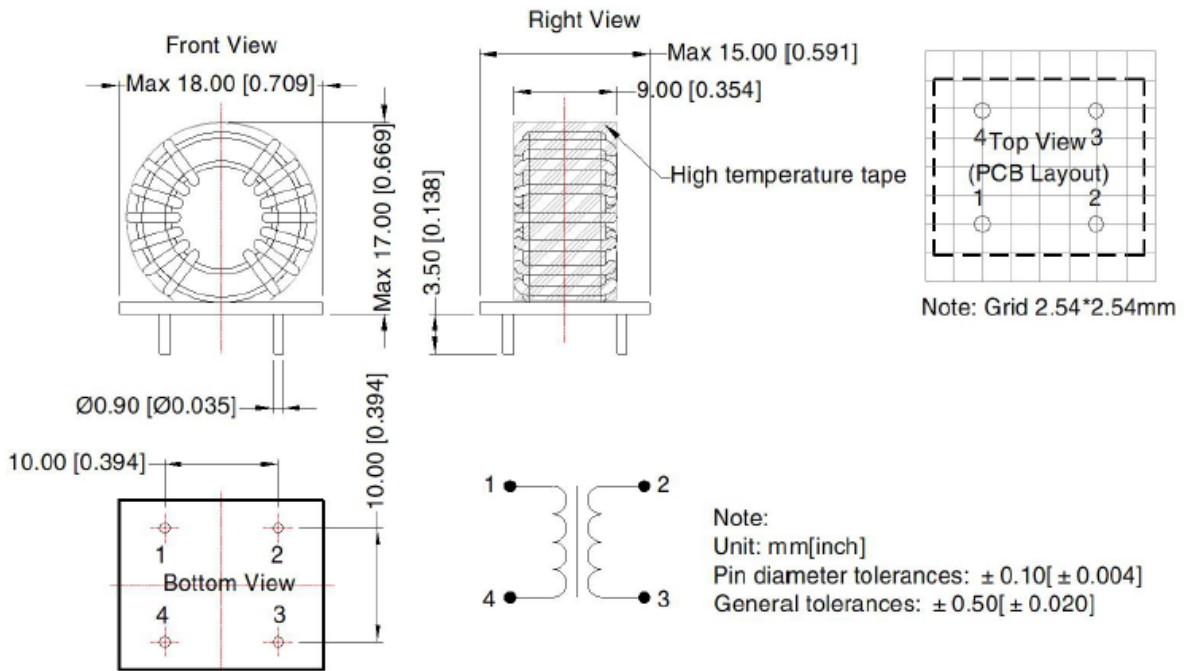


Fig 6

THIRD ANGLE PROJECTION 



Dimensions and Recommended Layout (continued)

Fig 7

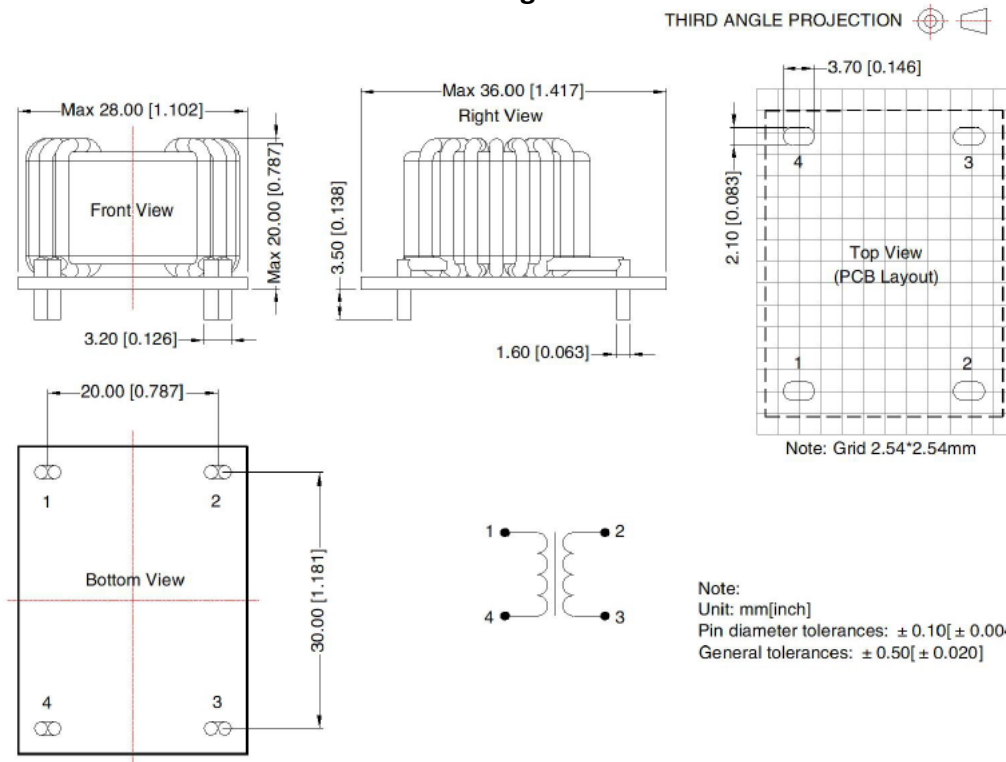
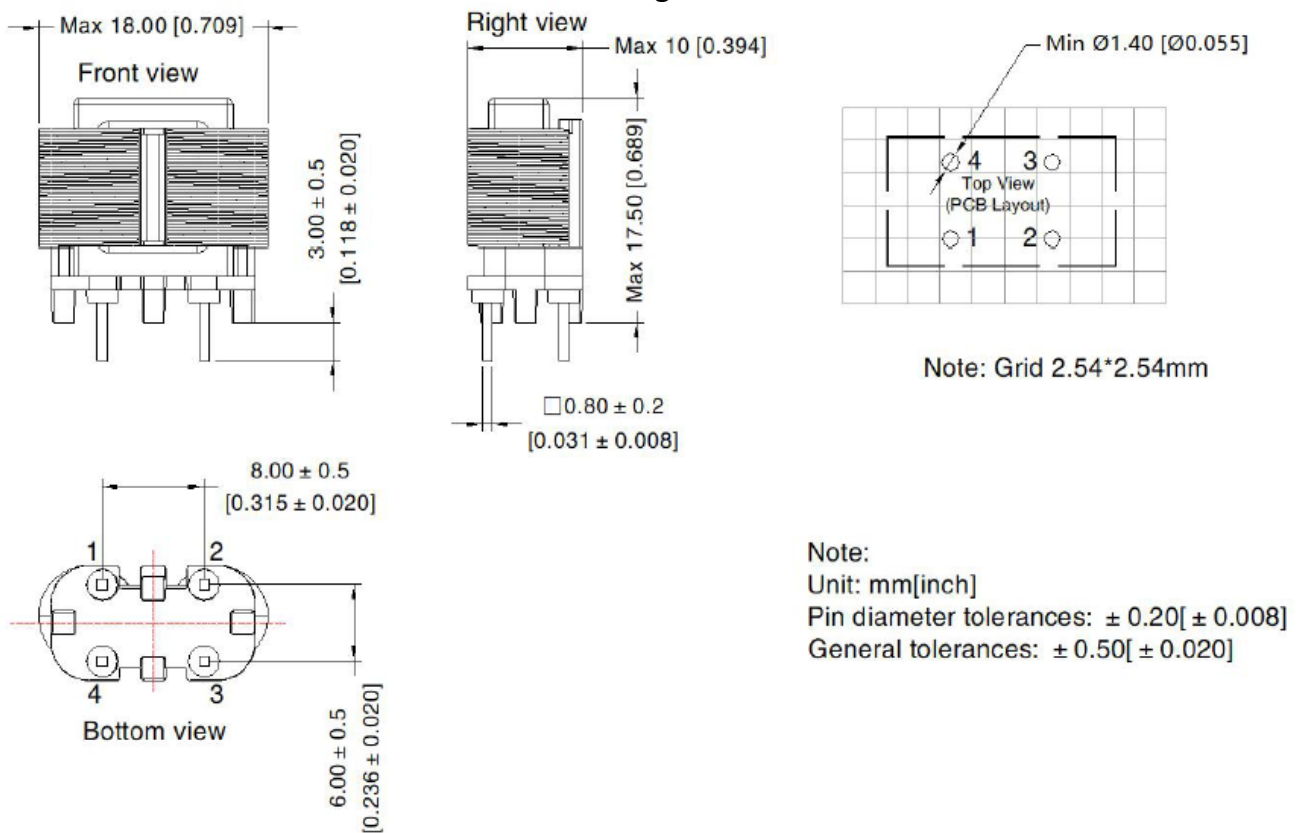


Fig 8



Notes:

For additional information on Product Packaging, please refer to www.IdealPower.co.uk.
Unless otherwise specified, data in this data sheet should be tested under $T_a=25^{\circ}\text{C}$, humidity<75%RH.

All index testing methods in this datasheet are based on company corporate standards.

The performance indexes of the product models listed in this manual are as above. Still, some indexes of non-standard model products will exceed the abovementioned requirements. Please contact our technicians directly for specific information.

We can provide product customization services; please contact our technicians directly for specific information.

Products are related to laws and regulations; see "Features".

Our products shall be classified according to ISO14001 and related environmental laws and regulations and handled by qualified units.